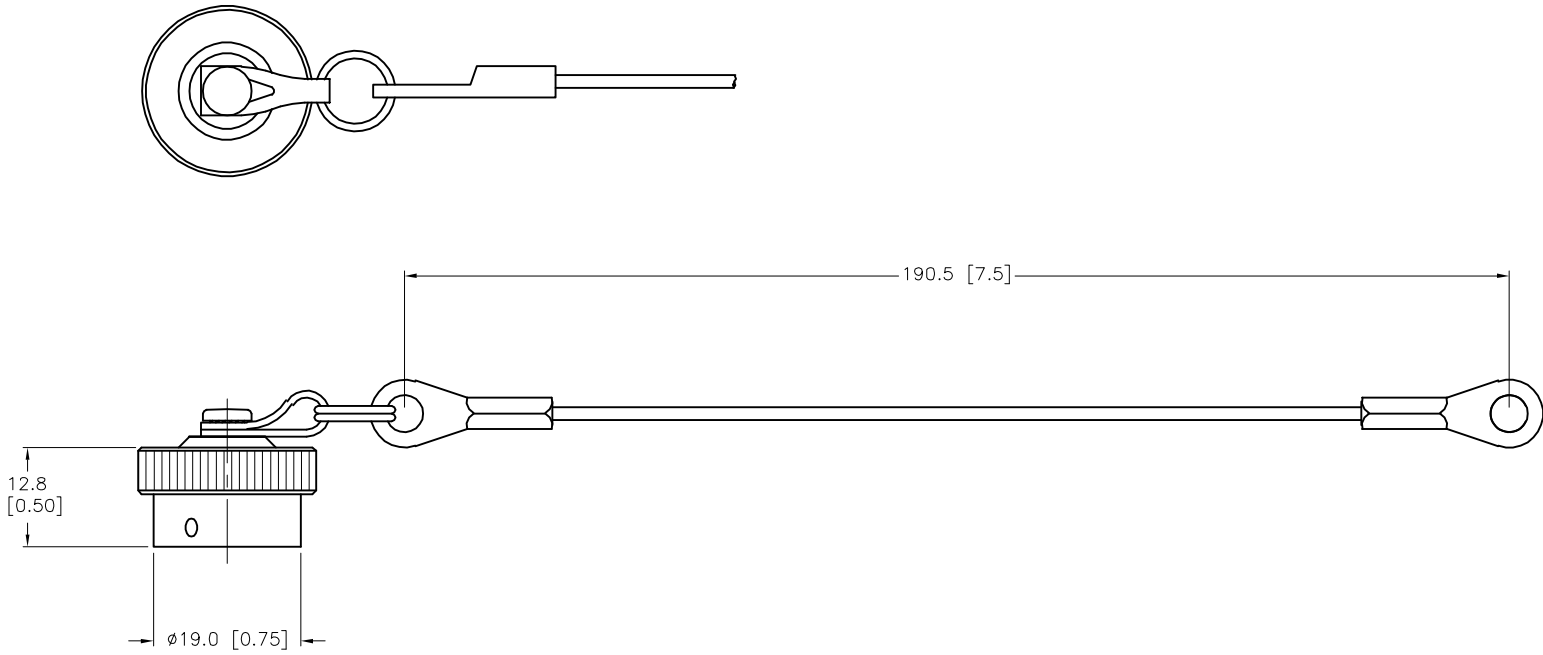

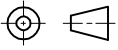


SPECIFICATIONS	
CAP MATERIAL/FINISH	ALUMINUM ALLOY/OLIVE DRAB PLATING
CABLE AND EYELET MATERIAL	SST



NOTES:
1. ALL DIMENSIONS ARE REFERENCE.

SOURCE DRAWING - FOR REFERENCE ONLY

RELATED DOCUMENTS		3RD ANGLE PROJECTION		THIS DRAWING IS CONFIDENTIAL AND THE PROPERTY OF TURCK INC. USE OF THIS DOCUMENT WITHOUT WRITTEN PERMISSION IS PROHIBITED.		 3000 CAMPUS DRIVE MINNEAPOLIS, MN 55441 1-800-544-7769 (763) 553-7300 (763) 553-0708 fax www.turck.us	
1. 2. 3. 4.				DRFT RDS	DATE 01/16/14	DESCRIPTION MS 3110-10-CC	
MATERIAL SEE SPECIFICATIONS		ALL DIMENSIONS DISPLAYED ON THIS DRAWING ARE FOR REFERENCE ONLY		APVD J.B.	SCALE 1=1.0	IDENTIFICATION NO. U-59647	
FINISH SEE SPECIFICATIONS		CONTACT TURCK FOR MORE INFORMATION		UNIT OF MEASUREMENT MILLIMETER [INCH]		REV B	
B UPDATED DRAWING		AS 05/31/23 500000008308		DO NOT SCALE THIS DRAWING		FILE: U-59647	
REV DESCRIPTION		BY DATE ECO NO.				SHEET 1 OF 1	